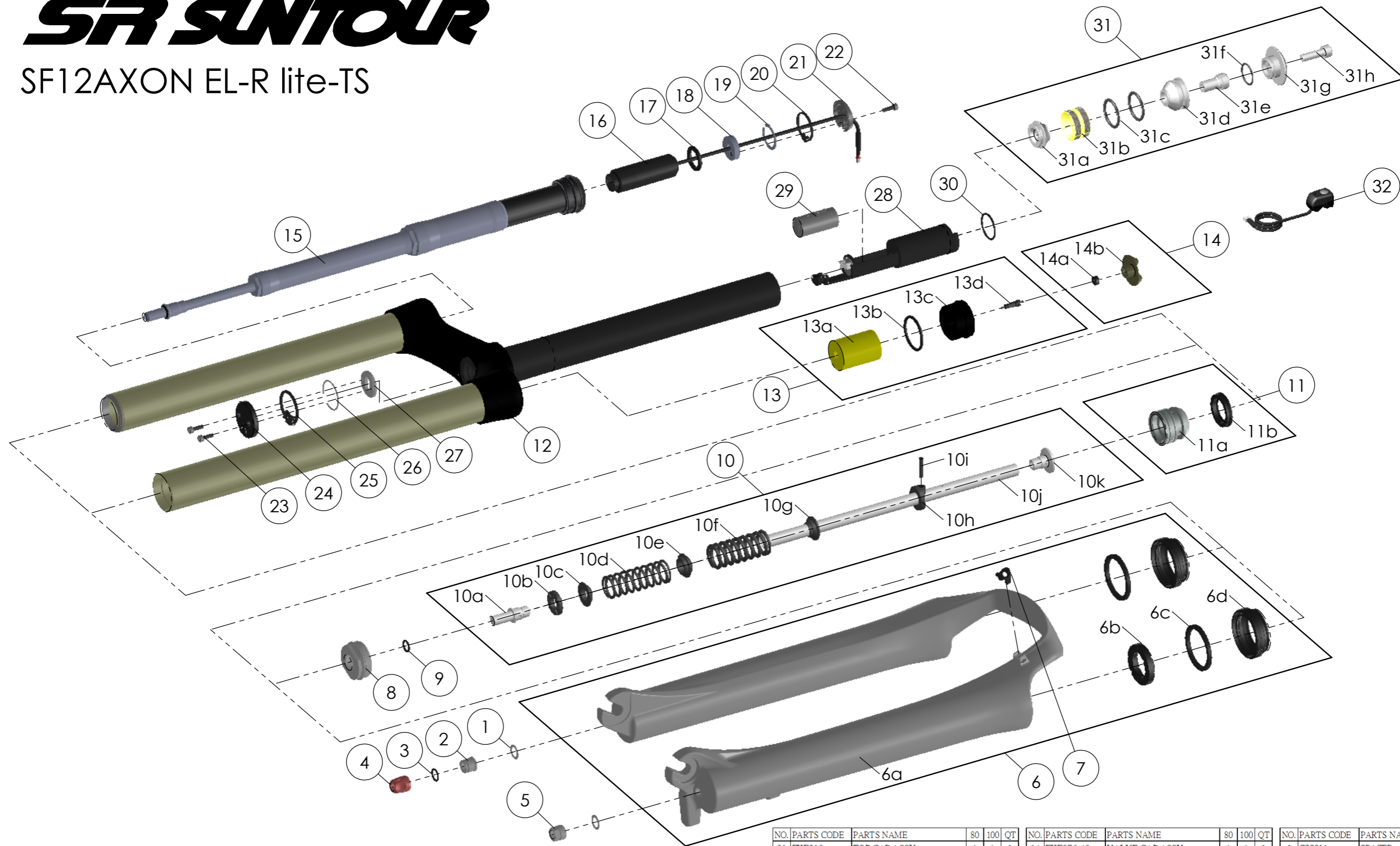


SF SUNTOUR

SF12AXON EL-R lite-TS



| NO. | PARTS CODE | PARTS NAME | 80 | 100 | QT |
|-----|------------|--------------|----|-----|----|
| 31 | FKE210 | TOP CAP ASSY | * | * | 1 |
| 32 | FUN049-00 | SWITCH UNIT | * | * | 1 |

| NO. | PARTS CODE | PARTS NAME | 80 | 100 | QT |
|-----|------------|-------------------|----|-----|----|
| 14 | FKE076-40 | VALVE CAP ASSY | * | * | 1 |
| 15 | FUN064-00 | DAMPER UNIT | * | * | 1 |
| 16 | FUN047-00 | ACTUATOR UNIT | * | * | 1 |
| 17 | FAA279 | O RING | * | * | 1 |
| 18 | FEE779-10 | ACTUATOR CAP | * | * | 1 |
| 19 | FSS031 | SNAP RING | * | * | 1 |
| 20 | FEE775 | REMOTE COVER SEAL | * | * | 1 |
| 21 | FEE774 | REMOTE COVER | * | * | 1 |
| 22 | FSB091-30 | FISING BOLT | * | * | 1 |
| 23 | FSB091-30 | FISING BOLT | * | * | 2 |
| 24 | FEE776 | LOWER COVER | * | * | 1 |
| 25 | FEE777 | LOWER COVER SEAL | * | * | 1 |
| 26 | FSS001 | SNAP WIRE | * | * | 1 |
| 27 | FEE780 | FIXING PLATE | * | * | 1 |
| 28 | FUN048-00 | CONTROLLER UNIT | * | * | 1 |
| 29 | FAA285 | BATTERY | * | * | 1 |
| 30 | FAA184 | O RING | * | * | 1 |

| NO. | PARTS CODE | PARTS NAME | 80 | 100 | QT |
|-----|------------|-------------------|----|-----|----|
| 1 | CSS014 | SPACER | * | * | 2 |
| 2 | FSN055 | FIXING NUT | * | * | 1 |
| 3 | FAA276 | O RING | * | * | 1 |
| 4 | FEE923 | REBOUND KNOB | * | * | 1 |
| 5 | FSN033 | FIXING NUT | * | * | 1 |
| 6 | FKE432-08 | BOTTOM CASE ASSY | * | * | 1 |
| 6b | FEP233-10 | BOTTOM BUMPER | * | * | 1 |
| 6c | FAA207 | OIL WIPER | * | * | 2 |
| 6d | FAA169 | DUST SEAL | * | * | 2 |
| 7 | FEG034 | CABLE CLIP | * | * | 1 |
| 8 | FEE243-20 | FORK NOSE | * | * | 1 |
| 9 | FAA175 | O RING | * | * | 1 |
| 10 | FKE115-10 | SUPPORT TUBE ASSY | * | * | 1 |
| 10 | FKE115-00 | SUPPORT TUBE ASSY | * | * | 1 |
| 11 | FKA022-20 | PISTON UNIT | * | * | 1 |
| 12 | FKE437-01 | UPPER ASSY | * | * | 1 |
| 13 | FKE075-24 | AIR CAP ASSY | * | * | 1 |